

Pendant Control

HY-1020 Series



**Pendant controls for cranes,
hoists, power lifts of truck,
electric lift and other moving
equipments**

Overview

Podem's pendant controls cover wide field of light and medium duty control applications. They are very reliable, with ergonomic compact design and easy for handling and operation.

Application:

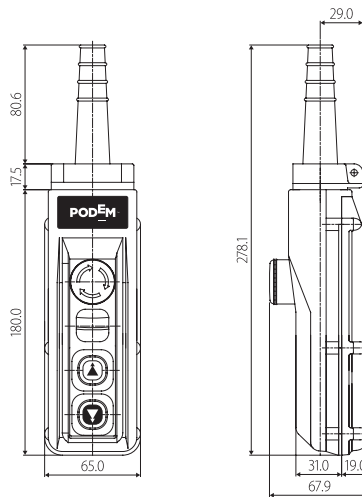
Cranes, hoists, power lifts of truck, electric lift and other moving equipments.

Advantages:

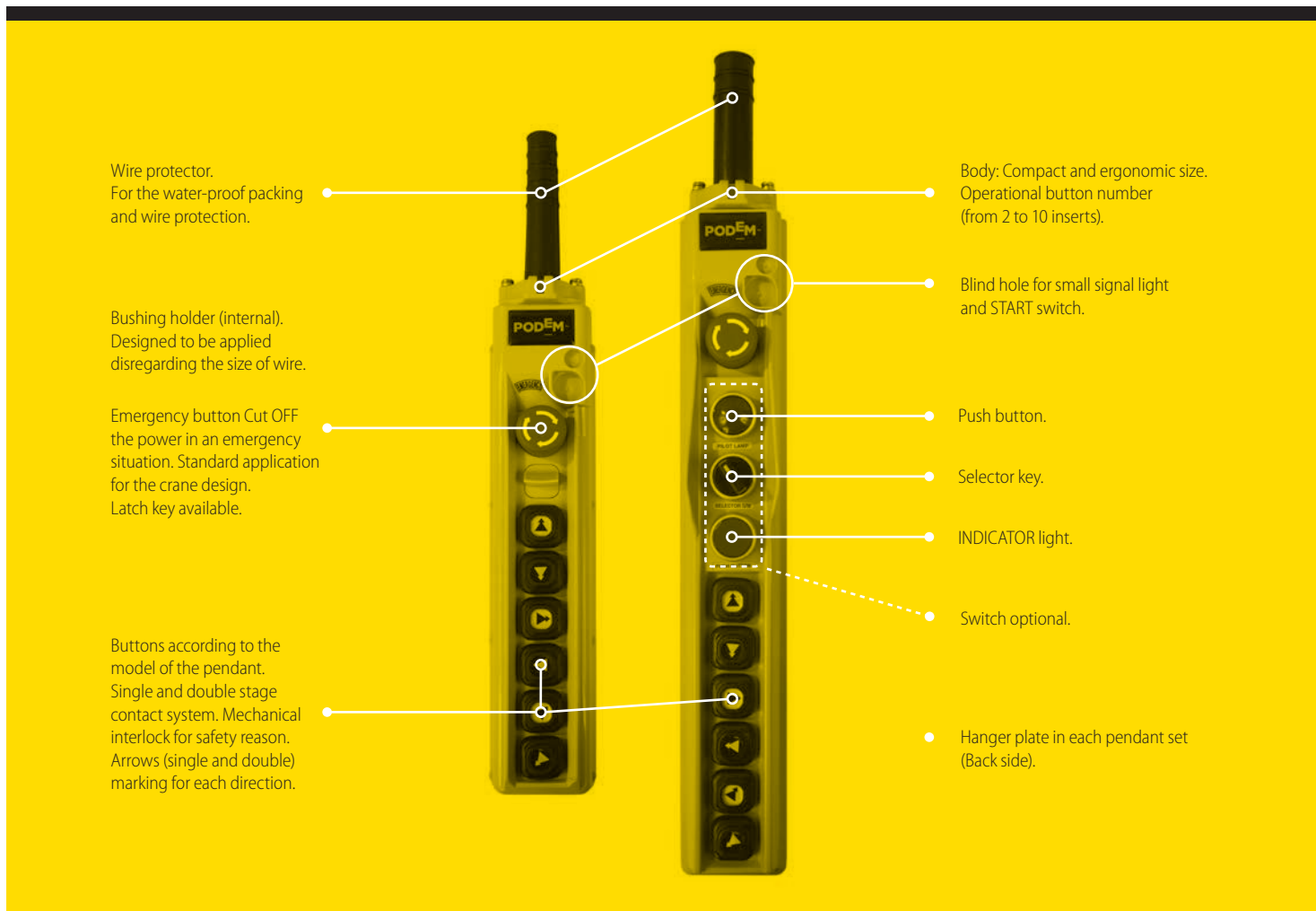
- Excellent price-quality level.
- Various push buttons pendant models (from 2 to 6 buttons plus optional accessories).
- Made of the ABS copolymer with an excellent mechanical intensity and electrical features.
- Light weight.
- Standard Emergency switch for cut OFF the operation power.
- Durable contact units, which provides to select frequently and reliably the controlling load. Two position contact unit has mechanical lock-up feature for additional safety.

Model Range

HY-1022 SB



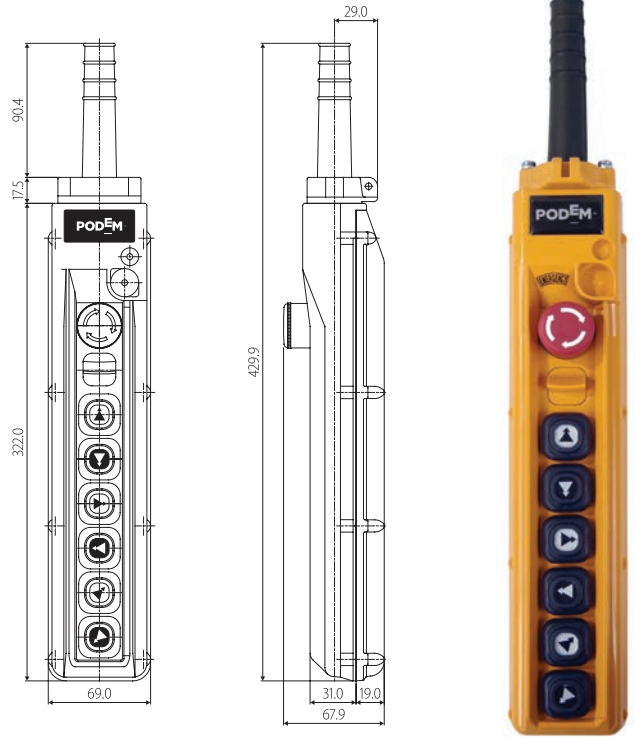
Design



HY-1024 SBB



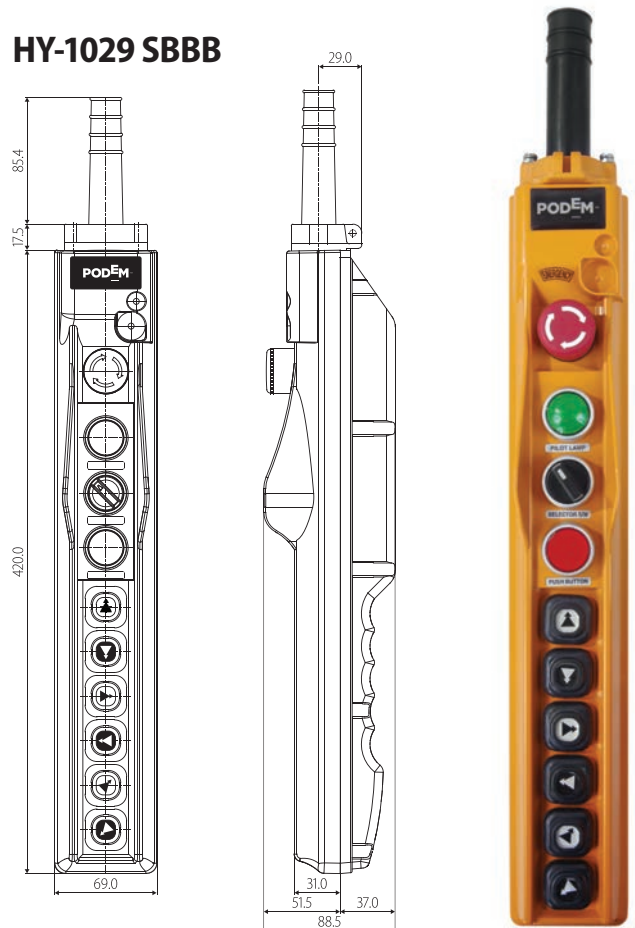
HY-1026 SBBB



HY-1026 SBBB-L



HY-1029 SBBB





Technical Features

Rated current	6 A 250 V AC (10 A 250 V AC for Total Stop: push lock-turn reset)
Insulation resistance	100 MΩ (500 V d.c)
Dielectric strength	2000 V a.c. for 1 min (between the recharging part and non-recharging part)
Insulation category	Class II
Degree of protection	IP66 (Indoor/Outdoor)
Vibration resistance	from 10 to 55 Hz double amplitude 1.0 mm
Shock resistance	500 m/s ²
Materials	Case: strong shock resistance ABS copolymer
	Button and wire protector : special rubber
Cable entry: rubber cable sleeve	Diameter 14÷26 mm
Buttons mechanical life	3 million operations (enough for more than 20 years operation)
Conformity to EU Directives	2006/42/CE, 2006/95/CE
Conformity to standards	EN 60204-1, EN 60947-1, EN 60947-5-1, EN 60529, EN 418
Operating temperature	-10 °C / +50 °C
Storage temperature	-20 °C / +55°C
Operating humidity	45 to 85% R.H.

Podemcrane AD

1 General Nikolov St.
5300 Gabrovo, Bulgaria
t +359 66 801 375
f +359 66 801 390
sales@podem.bg
podem.bg

